



CUBE Litening AERO SLT

Frame/Fork: Carbon

Electronic gear shifting / disc brakes

Shimano Dura Ace Di2 2 chainrings, 50-34

Cassette: 11-30, 12-speed

Frame sizes: 50-60

Seat post: oval

Wheels: Newmann Advanced SL R.50/65 Stream, Carbon

Tyres: Schwalbe Pro One 28mm

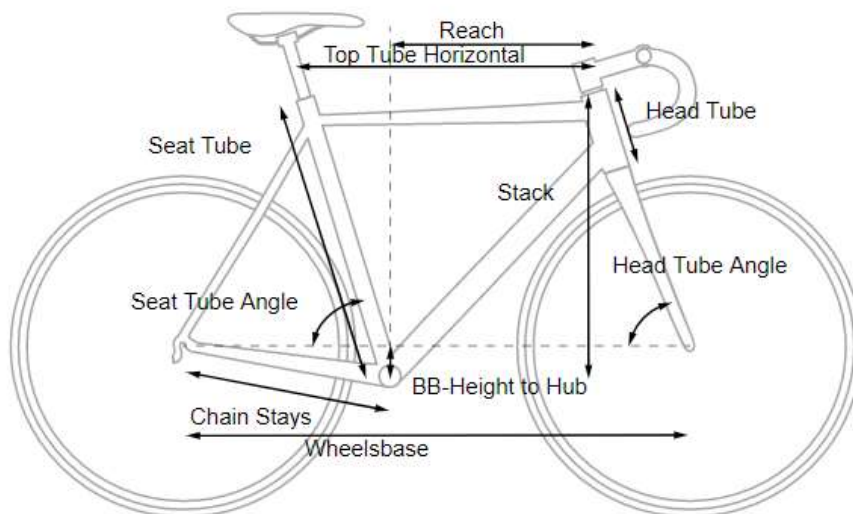
Litening Aero C:68X SLT

Frame size Huerzeler	Frame size Cube	Stem (mm)	Spacer (mm)	Handlebar width (cm)	Crank length (mm)
50	50	90	30	40	170
52	52	90	30	40	170
54	54	100	30	42	172,5
56	56	100	30	42	172,5
58	58	110	30	44	175
60	60	120	30	44	175

Geometries

Frame size	50 cm	52 cm	54 cm	56 cm	58 cm	60 cm
Seat tube (mm)	460	480	500	520	540	560
Top tube horizontal (mm)	527	537	550	565	580	592
Seat tube angle (°)	75,0	74,2	73,5	73,5	73,0	72,5
Head tube angle (°)	72,3	72,5	73	73,5	73,5	73,5
Chain stays (mm)	410	410	410	410	410	410
Head tube (mm)	95	105	125	145	165	180
Wheelsbase (mm)	981	981	984	995	1.005	1.011
BB-height to hub (mm)	-72	-72	-69	-69	-67	-67
Standover height (mm) – 80 mm	742	757	779	798	818	835
Reach (mm)	389	389	389	398	403	405
Stack (mm)	514	524	542	563	580	594

Image to geometries





CUBE Agree Di2

Frame/Fork: Carbon
 Electronic gear shifting / disc brakes
 Shimano Ultegra Di2 2 chainrings, 50-34
 Cassette: 11-34, 12-speed
 Frame sizes: 46-62
 Seat post: oval
 Wheels: DT-Swiss ER 1600 Classic
 Tyres: Schwalbe Pro One 28 mm

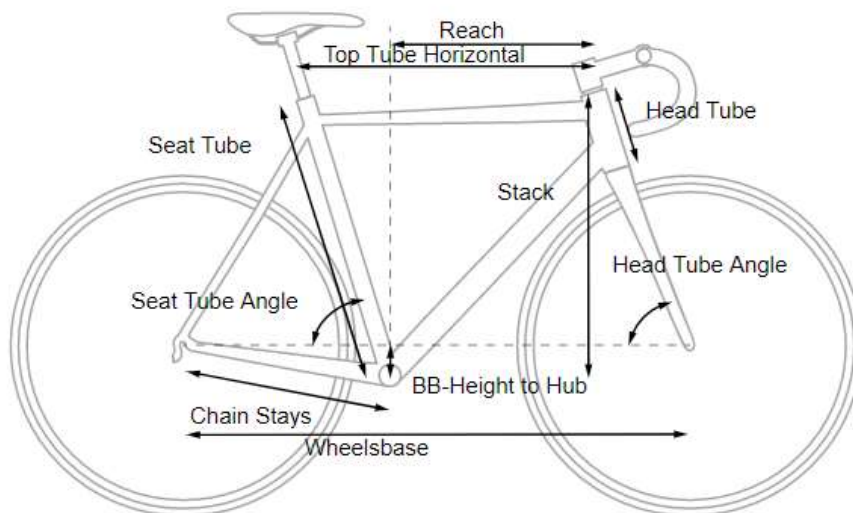
Agree C:62

Frame size Huerzeler	Frame size Cube	Stem (mm)	Spacer (mm)	Handlebar width (cm)	Crank length (mm)
46	50	80	30	40	170
49	50	90	30	40	170
52	53	90	30	40	170
54	53	110	30	42	172,5
56	56	110	30	42	172,5
58	58	110	30	42	175
60	58	120	30	44	175
62	60	120	30	44	175

Geometries

Frame size	50 cm	53 cm	56 cm	58 cm	60 cm	62 cm
Seat tube (mm)	440	470	500	520	540	560
Seat tube center-center (mm)	428	458	488	508	528	548
Top tube (mm)	504	520	540	554	568	577
Top tube horizontal (mm)	522	539,0	560	575	590	600
Seat tube angle (°)	74,6	74,0	73,5	73,0	72,5	72,5
Head tube angle (°)	71,5	72,0	72,5	72,5	72,5	72,5
Chain stays (mm)	405	405	405	405	405	405
Head tube (mm)	107	127	157	177	195	218
Wheelsbase (mm)	978	984	998	1.007	1.017	1.028
BB-height to hub (mm)	-73	-73	-71	-71	-69	-69
Standover height (mm) – 50 mm	726	753	783	802	821	842
Standover height (mm) – 80 mm	732	758	788	807	826	846
Reach (mm)	378	383	390	394	399	402
Stack (mm)	523	544	573	592	607	629

Image to geometries





CUBE Attain Di2

Frame/Fork Carbon
 Electronic gear shifting / disc brakes/Disc Brakes
 Shimano Ultegra 2 chainrings, 50-34
 Cassette: 11-34, 12-speed
 Frame sizes: 46-64
 Seat post: 27,2 mm
 Wheels: DT-Swiss ER 1600 Classic
 Tyres: Schwalbe Pro One 28 mm

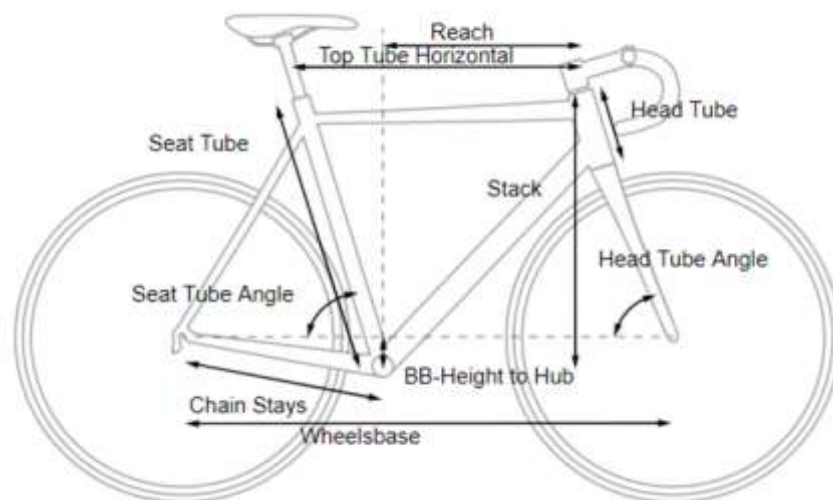
Attain C:62

Frame size Huerzeler	Frame size Cube	Stem (mm)	Spacer (mm)	Handlebar width (cm)	Crank length (mm)
46	50	80	30	40	170
49	50	90	30	40	170
52	53	90	30	40	170
54	53	110	30	42	172,5
56	56	110	30	42	172,5
58	58	110	30	42	175
60	58	120	30	44	175
62	60	120	30	44	175
64	62	120	30	44	175

Geometries

Frame size	50 cm	53 cm	56 cm	58 cm	60 cm	62 cm
Seat tube (mm)	440	490	520	540	560	580
Top tube horizontal (mm)	517	537	560	575	590	595
Seat tube angle (°)	74,6	74,0	73,5	73,0	72,5	72,5
Head tube angle (°)	71,5	72,0	72,5	72,5	72,5	72,5
Chain stays (mm)	420	420	420	420	420	420
Head tube (mm)	130	152	182	202	222	242
Wheelbase (mm)	993,85	1000,40	1013,81	1023,36	1032,52	1037,52
BB-hight to hub (mm)	74	74	74	74	74	74
Stndover height (mm) – 80 mm	740,51	766,98	796,49	815,7	834,88	854,68
Reach (mm)	368,80	376,20	384,90	388,44	391,59	390,57
Stack (mm)	538	560,7	591,14	610,21	629,29	6448,36

Image to geometries





CUBE Attain

Frame/Fork: Carbon
 Disc Brakes, Shimano 105 2 chainrings, 50-34
 Cassette: 11-34, 12-speed
 Frame sizes: 46-64
 Seat post: 27,2 mm
 Wheels: DT-Swiss ER 1600 Classic
 Tyres: Schwalbe Pro One 28 mm

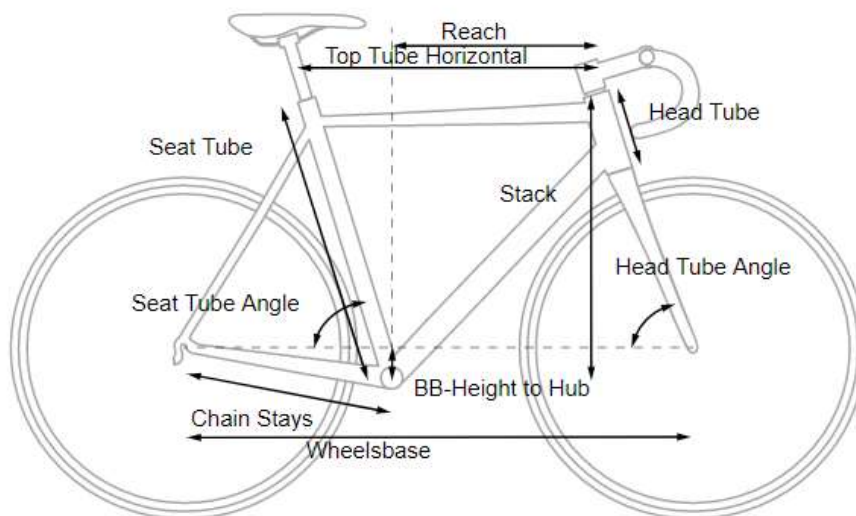
Attain GTC

Frame size Huerzeler	Frame size Cube	Stem (mm)	Spacer (mm)	Handlebar width (cm)	Crank length (mm)
46	50	70	0	40	170
49	50	90	5	40	170
52	53	90	0	40	170
54	53	110	0	42	172,5
56	56	110	0	42	172,5
58	58	110	5	42	172,5
60	58	120	10	44	175
62	60	120	15	44	175
64	62	130	20	44	175

Geometries

Frame size	50 cm	53 cm	56 cm	58 cm	60 cm	62 cm
Seat tube (mm)	460	490	520	540	560	580
Seat tube center-center (mm)	410	440	470	490	510	530
Top tube (mm)	501	518	539	553	566	571
Top tube horizontal (mm)	517	537	560	575	590	595
Seat tube angle (°)	74,6	74,0	73,5	73,0	72,5	72,5
Head tube angle (°)	71,5	72,0	72,5	72,5	72,5	72,5
Chain stays (mm)	410	410	410	410	412	412
Head tube (mm)	130	152	182	202	222	242
Wheelsbase (mm)	980	990	1.004	1.013	1.022	1.027
BB-height to hub (mm)	-74	-74	-74	-74	-74	-74
Standover height (mm) - 50 mm	716	743	773	793	812	832
Standover height (mm) - 80 mm	723	750	780	799	818	838
Reach (mm)	369	376	385	388	392	391
Stack (mm)	538	561	591	610	629	649

Image to geometries





CUBE Attain Budget

Frame/Fork Carbon
 Disc Brakes, Shimano Ultegra 2 chainrings, 50-34
 Cassette: 11-32, 11-speed
 Frame sizes: 46-64
 Seat post: 27,2 mm
 Wheels: DT-Swiss ER 1600 Classic
 Tyres: Schwalbe Pro One 28 mm

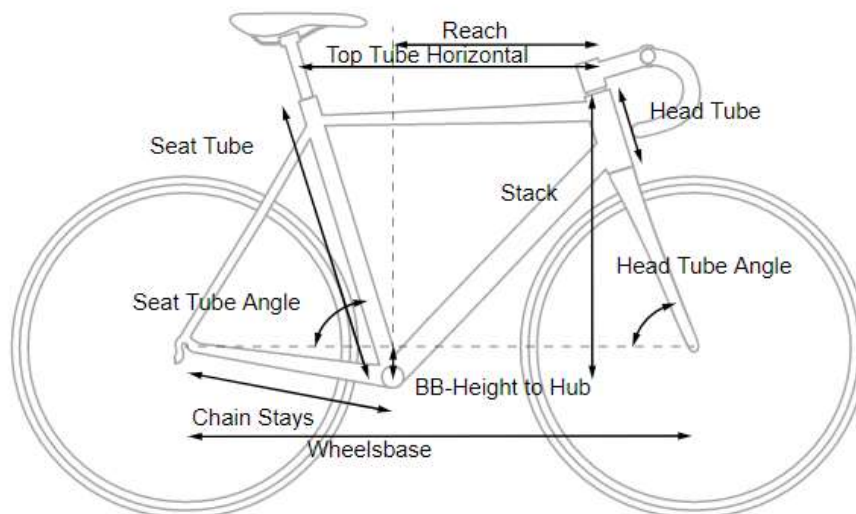
Attain GTC

Frame size Huerzeler	Frame size Cube	Stem (mm)	Spacer (mm)	Handlebar width (cm)	Crank length (mm)
46	50	70	0	40	170
49	50	90	5	40	170
52	53	90	0	40	170
54	53	110	0	42	172,5
56	56	110	0	42	172,5
58	58	110	5	42	175
60	58	120	10	44	175
62	60	120	15	44	175
64	62	130	20	44	175

Geometries

Frame size	50 cm	53 cm	56 cm	58 cm	60 cm	62 cm
Seat tube (mm)	460	490	520	540	560	580
Seat tube center-center (mm)	410	440	470	490	510	530
Top tube (mm)	501	518	539	553	566	571
Top tube horizontal (mm)	517	537	560	575	590	595
Seat tube angle (°)	74,6	74,0	73,5	73,0	72,5	72,5
Head tube angle (°)	71,5	72,0	72,5	72,5	72,5	72,5
Chain stays (mm)	410	410	410	410	412	412
Head tube (mm)	130	152	182	202	222	242
Wheelsbase (mm)	980	990	1.004	1.013	1.022	1.027
BB-height to hub (mm)	-74	-74	-74	-74	-74	-74
Standover height (mm) - 50 mm	716	743	773	793	812	832
Standover height (mm) - 80 mm	723	750	780	799	818	838
Reach (mm)	369	376	385	388	392	391
Stack (mm)	538	561	591	610	629	649

Image to geometries





CUBE E-Road

CUBE Nuroad Hybrid C:62 Race 400
 Frame/Fork: Carbon
 Battery: 400 Wh, **fixed in the frame**
 Motor Bosch Performance Line SX
 Disc brakes, Shimano GRX, 1 chainring 42
 Cassette: 10-42, 12-speed
 Frame sizes: 50, 53, 56, 58, 61
 Seat post: 27,2 mm
 Wheels: Newman Performance X.R.25
 Tyres: Schwalbe Pro One 38 mm

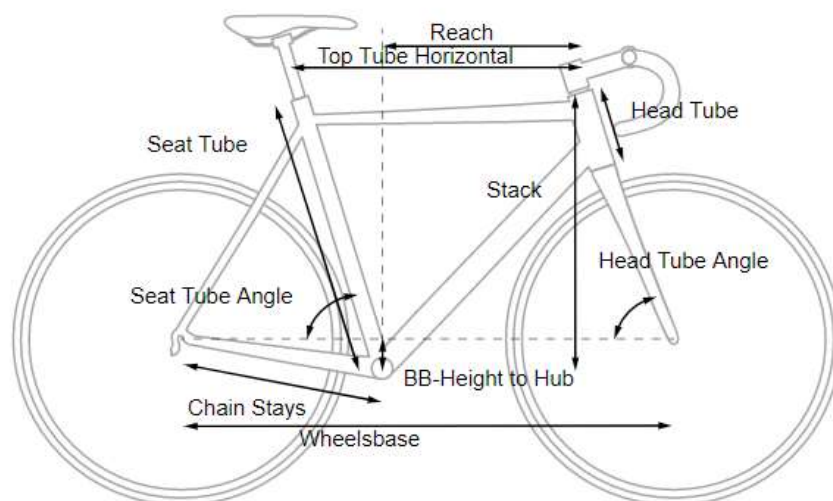
Cube Nuroad C:62 Hybrid

Frame Size	Stem (mm)	Spacer (mm)	Handlebar (cm)	Crank length (mm)
50	80	30	40	170
53	80	30	42	170
56	90	30	42	170
58	100	30	44	175
61	100	30	44	175

Geometries

Frame size	50 cm	53 cm	56 cm	58 cm	61 cm
Seat tube (mm)	447	477	507	527	557
Top tube horizontal (mm)	518	537	560	575	592
Seat tube angle (°)	75,8	74,7	73,8	73	73
Head tube angle (°)	69	70	71,4	72	72,5
Chain stays (mm)	440	440	440	440	440
Head tube (mm)	113	135	165	185	208
Wheelsbase (mm)	1.044	1.045	1.044	1.046	1.058
BB-height to hub (mm)	-70	-70	-70	-70	-70
Standover height (mm) - 50 mm	743	771	802	823	850
Standover height (mm) - 80 mm	749	776	808	828	855
Reach (mm)	384	386	389	389	398
Stack (mm)	530	554	588	610	633

Image to geometries





E-Bike Nuride

CUBE

Motor Bosch Drive Unit Performance CX GEN4 (85Nm)

Battery Power Tube 625 WH

Fork SR Suntour XCM ATB Coil, 100mm

Shimano Deore; Disc brake

Cassette: 11-46 / 10-speed

Frame sizes: XS/46, S/50, M/54, L/58

Seat post: 30,9 mm

Wheels: Hub Shimano TX 505; Rim Cube EX 23, 32 H

Tyres: Schwalbe G-One Allround

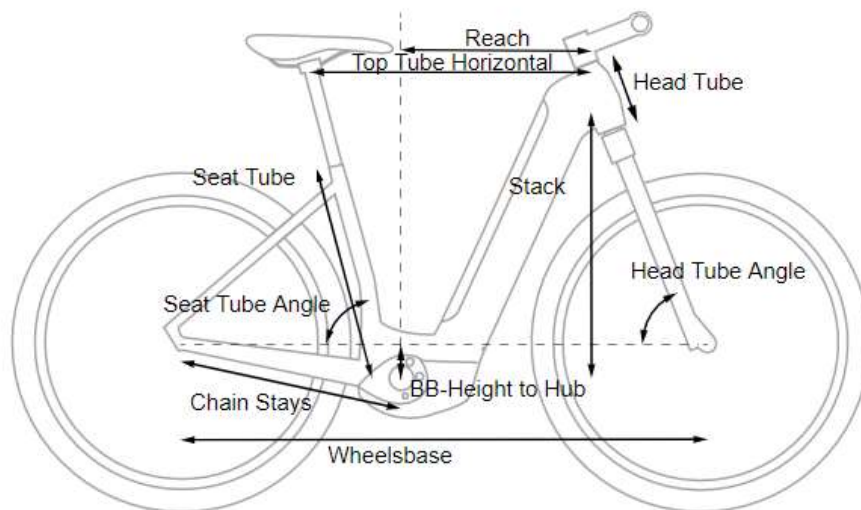
E-Bike Nuride 625 Alu

Frame size	Stem (mm)	Spacer (mm)	Handlebar width (cm)	Crank length (mm)
46	adjustable	15	72	170
50	adjustable	15	72	170
54	adjustable	15	72	170
58	adjustable	15	72	170

Geometries

Frame size	46 cm	50 cm	54 cm	58 cm
Seat tube (mm)	440	480	520	560
Top tube horizontal (mm)	590	600	610	620
Seat tube angle (°)	74,0	74,0	74,0	74,0
Head tube angle (°)	68,5	68,5	68,5	68,5
Chain stays (mm)	460	460	460	460
Head tube (mm)	145	145	150	155
Wheelsbase (mm)	1141	1151	1162	1172
BB-height to hub (mm)	-65	-65	-65	-65
Standover height (mm) – 50 mm	476	475	470	468
Standover height (mm) – 80 mm	525	522	516	514
Reach (mm)	397	407	416	424
Stack (mm)	659	658	663	668

Image to geometries





Sport Bike Alu

Shimano Tiagra, 2 chainrings, 50-34

Cassette: 11-34, 10-speed

Frame sizes: 44, 48, 52, 56, 60

Seat post: 27,2 mm

Wheels: Hub Shimano Tiagra; Rim Rígida DP16, 32 spokes

Tyres: Continental Super Sport 28mm

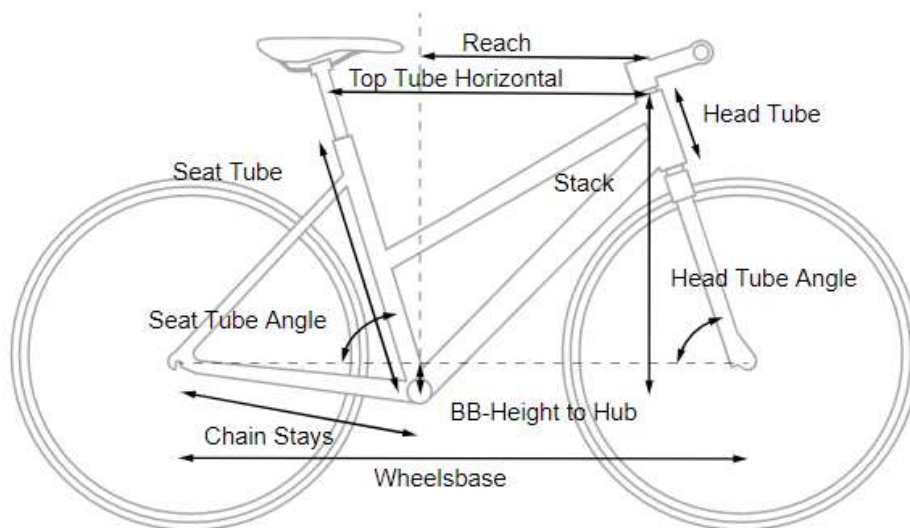
Sportrad Cube SL Road Alu

Frame sizes Huerzeler	Frame sizes Cube	Stem (mm)	Spacer (mm)	Handlebar width (cm)	Crank length (mm)
44	47	80	10	58	170
48	50	90	15	58	170
52	53	100	15	58	170
56	56	120	15	58	170
60	59	130	0	58	170

Geometries

Frame size	47 cm	50 cm	53 cm	56 cm	59 cm
Seat tube (mm)	430	460	490	520	550
Seat tube center-center (mm)	220	230	240	250	260
Top tube horizontal (mm)	517	537	561	569	588
Seat tube angle (°)	75,0	74,5	74,0	73,0	73
Head tube angle (°)	70	70,5	71,5	72,0	72
Chain stays (mm)	430	430	430	430	430
Head tube (mm)	120	130	150	165	190
Wheelsbase (mm)	1020	1031	1046	1056	1070
BB-height to hub (mm)	-60	-60	-60	-60	-60

Image to geometries





CUBE Gravel Carbon

Frame/Fork Carbon

Disc Brakes

Shimano GRX 820 2 chainrings, 48/31

Cassette: 11-36, 12 speed

Frame sizes: 50-61

Seat post: 27,2 mm

Wheels: DT-Swiss ER 1600 Classic

Tyres: Schwalbe G-One-R 40 mm

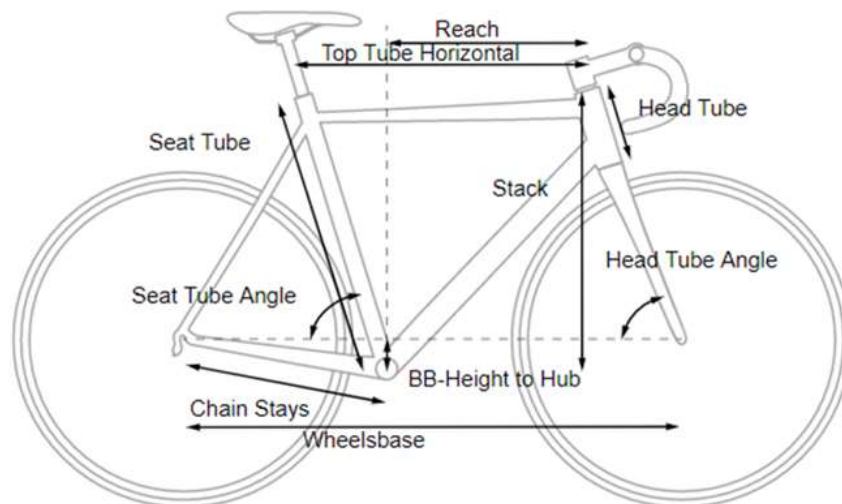
Nuroad C:62 Pro

Frame size Huerzeler	Frame size Cube	Stem (mm)	Spacer (mm)	Handlebar width (cm)	Crank length (mm)
50	50	80	30	42	170
53	53	80	30	42	170
56	56	90	30	44	172,5
58	58	100	30	46	172,5
61	61	100	30	46	175

Geometries

Frame size	50 cm	53 cm	56 cm	58 cm	61 cm
Seat tube (mm)	430	460	490	510	540
Top tube horizontal (mm)	522	537	560	575	592
Seat tube angle (°)	75,5	74,7	73,9	73	73
Head tube angle (°)	69	70	71,5	72	72,5
Chain stays (mm)	439,5	439,5	439,5	441,5	441,5
Head tube (mm)	102	124	155	174	197
Wheelbase (mm)	1034,40	1043,55	1045,59	1048,00	1060,04
BB-height to hub (mm)	70	70	70	70	70
Standover height (mm) – 80 mm	742,60	771,20	804,98	823,60	850,6
Reach (mm)	387,6	388,2	392,9	391,9	401,6
Stack (mm)	519,6	544,0	579	599	622,9

Imagen to geometries





CUBE Gravel Alu

Frame/Fork Aluminium/Carbon

Disc Brakes

Shimano GRX 810, 1 chainring 40

Cassette: 11-42, 11 speed

Frame sizes: 50-61

Seat post: 27,2 mm

Wheels: DT-Swiss ER 1600 Classic

Tyres: Schwalbe G One 40 mm

Nuroad SL

Frame size Huerzeler	Frame size Cube	Stem (mm)	Spacer (mm)	Handlebar width (cm)	Crank length (mm)
50	50	90	5	40	170
53	53	90	5	42	170
56	56	100	5	42	172,5
58	58	100	5	44	172,5
61	61	100	5	46	175

Geometrien

Frame size	50 cm	53 cm	56 cm	58 cm	61 cm
Seat tube (mm)	425	455	485	505	535
Top tube horizontal (mm)	517	537	560	575	592
Seat tube angle (°)	75,2	74,5	73,5	73	73
Head tube angle (°)	70	71	71,5	72	72,5
Chain stays (mm)	430	430	430	430	430
Head tube (mm)	118	140	170	190	213
Wheelbase (mm)	1018	1023	1032	1037	1048
BB-hight to hub (mm)	70	70	70	70	70
Stndover height (mm) – 80 mm	744	771	801	821	840
Reach (mm)	376	382	386	389	398
Stack (mm)	533	557	588	609	632

Imagen to geometries

